

# B.O.P. Seating Pricelist

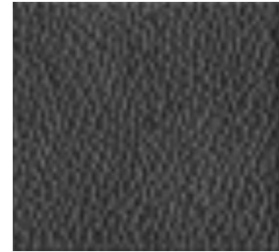
September 2024

Version 1.0





**PRES7700D**  
High Back w/ Adjustable Arms



**Black Davenport Leather**  
w/ Embossed Pebble Grain

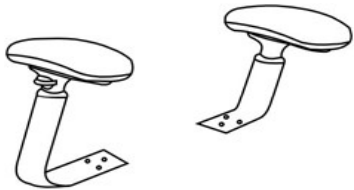
- Black frame with polished aluminum base and arms
- Enersorb™ seat and back foam conforms to your body and disperses your weight ergonomically to improve blood circulation and relieve pressure points
- Synchronous knee-tilt mechanism with dual position tilt lock, pneumatic height adjustment, tension control
- Adjustable arm height with polyurethane arm pads
- Built-in lumbar support
- Compound curved back for ergonomic comfort and support
- Adjustable Seat Slider
- Five-prong heavy-duty nylon base with standard 2" carpet casters
- Weight capacity meets or exceeds ANSI/BIFMA X5.1 standards
- Offered in black Davenport leather. A top grain, lightly corrected, semi-aniline leather Powered by Crypton®, that is bleach cleanable, antibacterial, and stain resistant. Fully aniline dyed and highlighted by an embossed pebble grain, it is durable and perfect for high traffic areas

Product Line	Product Number	Description	Price (\$USD)	Product Specifications (approximate)										
				Overall Dimensions			Seat			Inside Back		Inside Arm		
				W	D	H	W	D	H	W	H	Height	LB	FT <sup>3</sup>
Presider	PRES7700DCH0106	High Back w/ Adjustable Arms	\$1,200	26	27	46-49	21	19	17-21.5	21	27	6-9.5	90	16

## Arm Replacement for the Presider 7700D Series

Left Arm Part Number	Right Arm Part Number	Price/ Arm
16RAL77ARMCH	16RAR77ARMCH	\$65

### Replacement Instructions



1. Remove the three (3) #3 phillips screws holding the arm support on the underside of the seat
2. Remove old arm support
3. Place new arm support in position
4. Re-fasten the three (3) #3 phillips screws through arm support
5. Repeat for the other arm support

Arm replacement requires the use of a #3 Phillips Screwdriver

## How To Order



<b>Order w/ Product Order Code</b>
<b>PRES7700DCH0106</b>

# Captain's Chair

## CXO Product Features



**CXO6200**  
w/ Arms and Headrest



**CXO6201**  
w/ Arms and no Headrest

Adjustable Lumbar Support →



Specialized Swivel Mechanism



- Flexible mesh back for comfort and support
- Enersorb™ memory foam seat, lumbar and headrest
- Contoured seat foam with waterfall design to minimize pressure on thighs
- Synchronous knee-tilt swivel mechanism with built-in slide depth adjuster and side tension adjustment
- Pneumatic seat height adjustment
- Easy to use adjustable arms with lockable, finger-tip vertical, horizontal and swivel movements
- Super soft elongated polyurethane arm pads
- Adjustable ratchet headrest with built-in coat hook
- Standard 2" carpet casters
- Heavy duty Class 4 gas lift
- Weight capacity: 350 lbs.

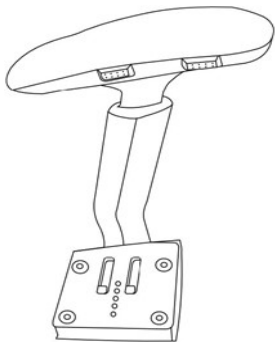
Product Line	Product Number	Description	Price (\$USD)	Product Specifications (approximate)										
				Overall Dimensions			Seat			Inside Back		Inside Arm		LB
				W	D	H	W	D	H	W	H	Height		
CXO	CXO6200BLK0301	w/ Arms and Headrest	\$860	26-29	22-24	47.5-55	21	20	16-21	22	30-32	7-11.5	#N/A	19
CXO	CXO6201BLK0301	w/ Arms and no Headrest	\$795	26-29	22-24	38-42.5	21	20	16-21	22	23	7-11.5	#N/A	19

### Arm Replacement for the CXO 6200 Series

Left Arm Part Number	Right Arm Part Number	Price/ Arm
16RAL6200ARM	16RAR6200ARM	\$65

#### Replacement Instructions

1. Remove the four (4) #3 phillips screws holding the arm support on the underside of the seat
2. Remove old arm support
3. Place new arm support in position
4. Re-fasten the four (4) #3 phillips screws through arm support, starting with outside screws
5. Repeat for the other arm support



Arm replacement requires the use of a #3 Phillips Screwdriver

### How To Order

w/ Headrest

Order w/ Product Order Code

**CXO6200BLK0301**

w/o Headrest

Order w/ Product Order Code

**CXO6201BLK0301**



**SXO6102**  
High Back w/ Arms

All-purpose back basket provides easy storage



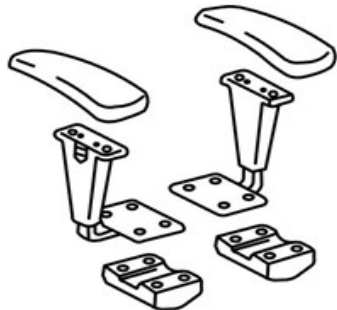
- Breathable, translucent mesh back
- Ergonomically designed back frame with built-in lumbar support
- Supportive, adjustable arms (up/down, in/out) with lockable polyurethane swivel arm pads
- Pneumatic height adjustment
- All-purpose back basket
- Smooth activating mechanism with infinite position tilt-lock and forward pivot
- Enersorb memory seat foam
- Side tension adjustment
- Standard 2" carpet casters
- 5-Prong heavy duty nylon base
- Weight capacity: 350 lbs.

Product Line	Product Number	Description	Price (\$USD)	Product Specifications (approximate)										
				Overall Dimensions			Seat			Inside Back		Inside Arm		
				W	D	H	W	D	H	W	H	Height	LB	FT <sup>3</sup>
SXO	SXO6102BLK0301	High Back Task Chair w/ Arms	\$780	26-28	25	36.5-40	20	19.5	16-20.5	20	19.5	6.5-10.5	70	19

## Arm Replacement for the SXO6102 Series

Left Arm Part Number	Right Arm Part Number	Price/ Arm
116100ARMBL	116100ARMBL	\$25

### Replacement Instructions



1. Remove the two (2) #3 phillips screws on the bottom side of the arm pad
2. Lift up and remove the old arm pad
3. Place new arm pad on the arm support, ensuring it is completely on the support
4. Re-fasten the two (2) #3 phillips screws in the bottom of the support to secure the arm pad
5. Repeat for the other arm pad

Arm replacement requires the use of a #3 Phillips Screwdriver

## How To Order



<b>Order w/ Product Order Code</b>
<b>SXO6102BLK0301</b>



**LXOMB00**  
High Back w/ Arms

- Translucent ABLEX patterned weave mesh back provides generous lumbar support while allowing dynamic back movement. Air flows freely through this breathable mesh for added comfort in any environment
- Synchro tilt mechanism with 5-position tilt-lock, pneumatic height adjustment, and tension control
- Swivel mechanism pneumatic height adjustment, seat depth adjustment
- Back depth adjustment
- Easy-to-use height adjustable arms
- Energy absorbing dual density Enersorb™ seat foam
- 5-prong, heavy-duty nylon base with 2" mag wheel carpet casters
- Waterfall seat design for proper Posture
- Weight capacity meets or exceeds ANSI/BIFMA X5.1 standards

Product Line	Product Number	Description	Price (\$USD)	Product Specifications (approximate)										
				Overall Dimensions			Seat			Inside Back		Inside Arm		
				W	D	H	W	D	H	W	H	Height	LB	FT <sup>3</sup>
LXO	LXOMB00BLK3501	High Back Task Chair w/ Arms (no head rest)	\$425	25.5	24	35.5-41	20	19.5	16-21	20	19.5	7.5-11.5	86	14

### Arm Replacement for the LXOMB00 Series

### How To Order

\* Replacement arms are not available for this chair



**Order w/ Product Order Code**  
**LXOMB00BLK3501**